



CL-CFP-QSFP28
100G CFP to QSFP28 Convertor Module
RoHS 6 compliant

Features



- CAUI -10 Electrical Interface:10 Lanes @10Gbit/s for CFP port
- CAUI -4 Electrical Interface:4 Lanes @25.78Gbit/s for QSFP28 port
- Hot Pluggable
- Low latency FEC
- MDIO, I2C Support
- Compliant to CFP MSA
- RoHS-6 compliant
- Case operating temperature: 0 to 70 °C
- The CL-CFP-QSFP28 Convertor Module converts a 100 Gigabit CFP port into a 100 Gigabit QSFP28 port. With the Converter Module, customers have the flexibility to use the 100 Gigabit CFP interface port of a switch with CFP modules or QSFP28 modules.

PART NUMBER	Monitor	INPUT/OUTPUT	SIGNAL DETECT	TEMPERATURE
CL-CFP-QSFP28	X	AC/AC	TTL	-5°C to 70 °C

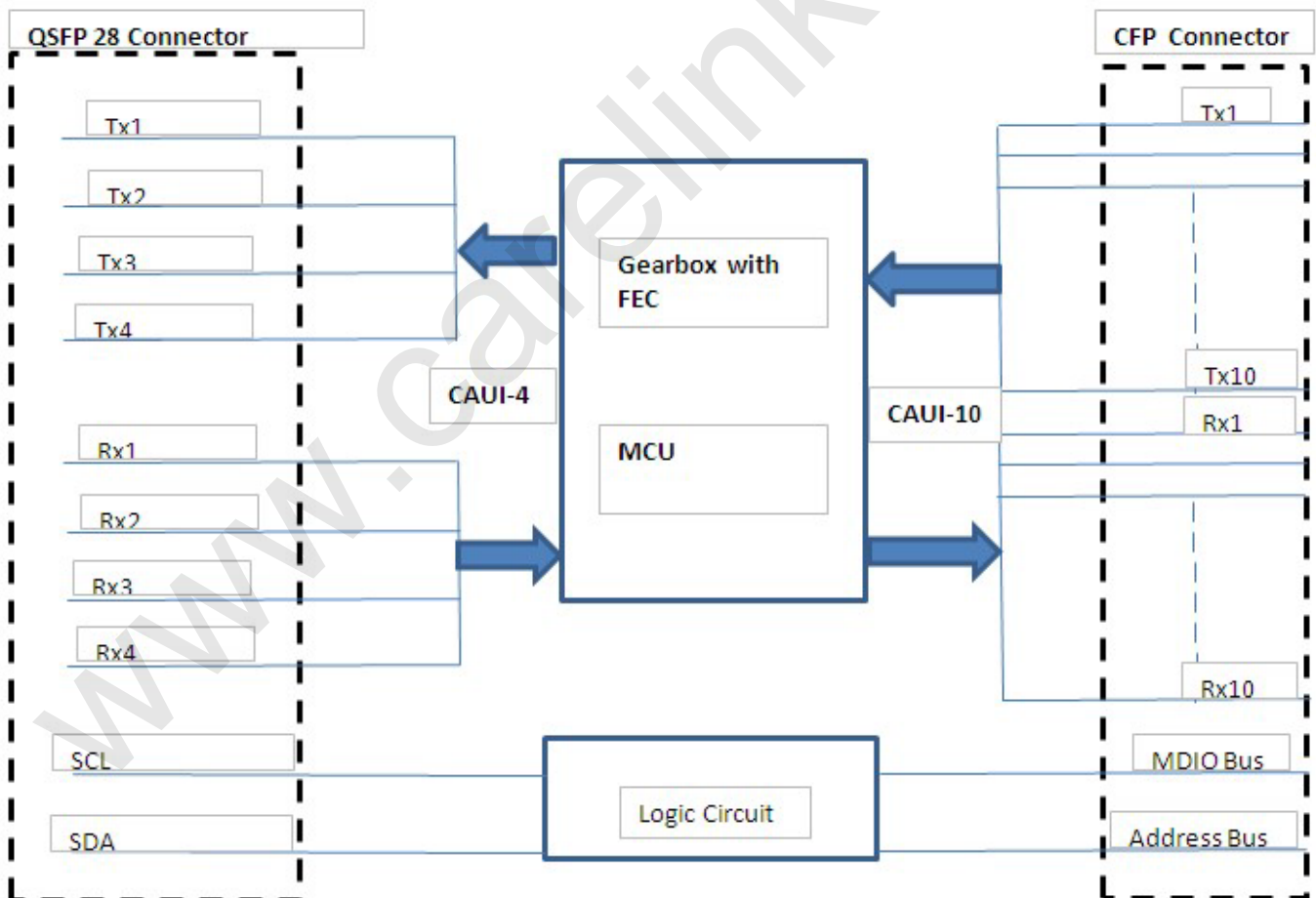


CL-CFP-QSFP28
100G CFP to QSFP28 Convertor Module
RoHS 6 compliant

Description

I/O Expansions	
CFP port	MDIO
QSFP28 port	I2C
Physical Characteristics	
Form Factor	Internal
Dimensions	13.6mmHeight x 82mmWidth x 144.75mm Depth

Block Diagram





CL-CFP-QSFP28
100G CFP to QSFP28 Convertor Module
RoHS 6 compliant

CAUI-10 Interface (CFP port)

CAUI Receiver Parameters	Symbol	Min.	Typ.	Max.	Unit	Note
Signal Rate Per Lane			10.3125		Gb/s	
Differential data output swing per lane	V _{out,pp}	CAUI-10 as defined by IEEE P802.3bm			mV	
Data output rise time	t _r				ps	
Data output fall time	t _f				ps	
CAUI Transmitter Parameters	Symbol	Min.	Typ.	Max.	Unit	Note
Signal Rate Per Lane			10.3125		Gb/s	
Input differential impedance	R _{in}	CAUI-10 as defined by IEEE P802.3bm			Ω	
Differential data input swing per lane	V _{in,pp}				mV	
Data input rise time tolerance	t _r				ps	
Data input fall time tolerance	t _f				ps	

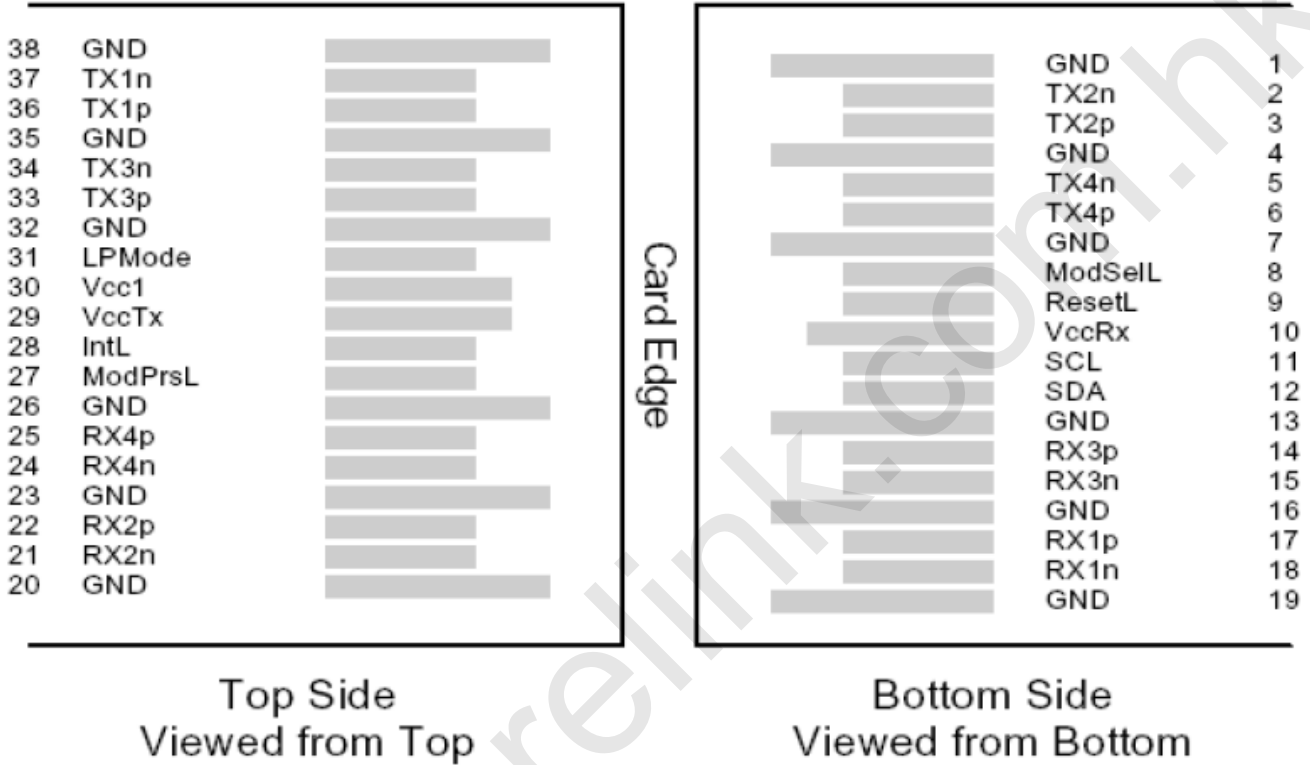
CAUI-4 Interface (QSFP28 port)

CAUI Receiver Parameters	Symbol	Min.	Typ.	Max.	Unit	Note
Signal Rate Per Lane			25.78		Gb/s	
Differential data output swing per lane	V _{out,pp}	CAUI-4 as defined by IEEE P802.3bm			mV	
Data output rise time	t _r				ps	
Data output fall time	t _f				ps	
CAUI Transmitter Parameters	Symbol	Min.	Typ.	Max.	Unit	Note
Signal Rate Per Lane			25.78		Gb/s	
Input differential impedance	R _{in}	CAUI-4 as defined by IEEE P802.3bm			Ω	
Differential data input swing per lane	V _{in,pp}				mV	
Data input rise time tolerance	t _r				ps	
Data input fall time tolerance	t _f				ps	



CL-CFP-QSFP28
100G CFP to QSFP28 Convertor Module
RoHS 6 compliant

PIN Assignment of QSFP28 port





CL-CFP-QSFP28
100G CFP to QSFP28 Convertor Module
RoHS 6 compliant

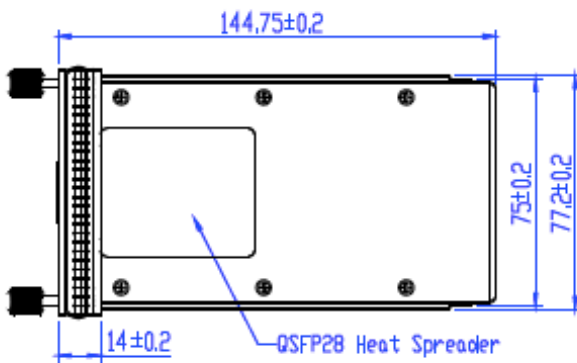
PIN Assignment of CFP port

	Top Row (2nd Half)		Bottom Row (2nd Half)		Top Row (1st Half)		Bottom Row (1st Half)
148	GND	1	3.3V_GND	111	GND	38	MOD_ABS
147	REFCLKn	2	3.3V_GND	110	N.C.	39	MOD_RSTn
146	REFCLKp	3	3.3V_GND	109	N.C.	40	RX_LOS
145	GND	4	3.3V_GND	108	GND	41	GLB_ALRMn
144	N.C.	5	3.3V_GND	107	RX9n	42	PRTADR4
143	N.C.	6	3.3V	106	RX9p	43	PRTADR3
142	GND	7	3.3V	105	GND	44	PRTADR2
141	TX9n	8	3.3V	104	RX8n	45	PRTADR1
140	TX9p	9	3.3V	103	RX8p	46	PRTADR0
139	GND	10	3.3V	102	GND	47	MDIO
138	TX8n	11	3.3V	101	RX7n	48	MDC
137	TX8p	12	3.3V	100	RX7p	49	GND
136	GND	13	3.3V	99	GND	50	VND_IO_F
135	TX7n	14	3.3V	98	RX6n	51	VND_IO_G
134	TX7p	15	3.3V	97	RX6p	52	GND
133	GND	16	3.3V_GND	96	GND	53	VND_IO_H
132	TX6n	17	3.3V_GND	95	RX5n	54	VND_IO_J
131	TX6p	18	3.3V_GND	94	RX5p	55	3.3V_GND
130	GND	19	3.3V_GND	93	GND	56	3.3V_GND
129	TX5n	20	3.3V_GND	92	RX4n	57	3.3V_GND
128	TX5p	21	VND_IO_A	91	RX4p	58	3.3V_GND
127	GND	22	VND_IO_B	90	GND	59	3.3V_GND
126	TX4n	23	GND	89	RX3n	60	3.3V
125	TX4p	24	(TX_MCLKn)	88	RX3p	61	3.3V
124	GND	25	(TX_MCLKp)	87	GND	62	3.3V
123	TX3n	26	GND	86	RX2n	63	3.3V
122	TX3p	27	VND_IO_C	85	RX2p	64	3.3V
121	GND	28	VND_IO_D	84	GND	65	3.3V
120	TX2n	29	VND_IO_E	83	RX1n	66	3.3V
119	TX2p	30	PRG_CNTL1	82	RX1p	67	3.3V
118	GND	31	PRG_CNTL2	81	GND	68	3.3V
117	TX1n	32	PRG_CNTL3	80	RX0n	69	3.3V
116	TX1p	33	PRG_ALARM1	79	RX0p	70	3.3V_GND
115	GND	34	PRG_ALARM2	78	GND	71	3.3V_GND
114	TX0n	35	PRG_ALARM3	77	(RX_MCLKn)	72	3.3V_GND
113	TX0p	36	TX_DIS	76	(RX_MCLKp)	73	3.3V_GND
112	GND	37	MOD_LOPWR	75	GND	74	3.3V_GND



CL-CFP-QSFP28
100G CFP to QSFP28 Convertor Module
RoHS 6 compliant

Package Outline (Unit:mm)



Units in mm

