









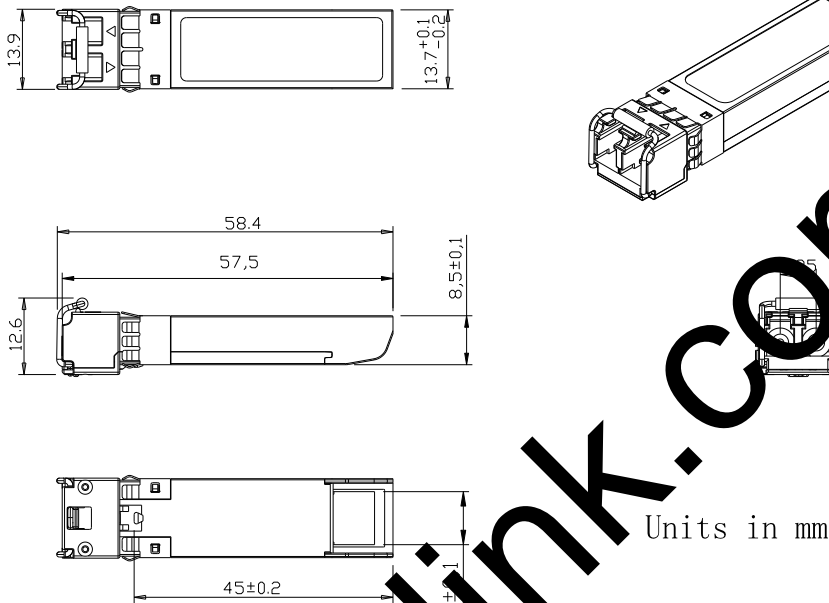






**RoHS compliant**  
**Small Form Pluggable (SFP+)**  
**SFP+ CWDM 20KM Optical Transceivers**

**Outline Dimensions**



**Regulatory Compliance**

Feature	Reference	Performance
Electrostatic discharge (ESD)	IEC/EN 61000-4-2	Compatible with standards
Electromagnetic Interference (EMI)	FCC Part 15 Class B EN 55022 Class B (CISPR 22A)	Compatible with standards
Laser Eye Safety	FDA 21CFR 1040.10, 1040.11 IEC/EN 60825-1, 2	Class 1 laser product
Component Recognition	IEC/EN 60950 , UL	Compatible with standards
RoHS	2002/95/EC	Compatible with standards
EMC	EN61000-3	Compatible with standards