



**RoHS compliant**  
**CWDM Transceiver, 20dB margin**  
**Small Form Pluggable (SFP), 3.3V**  
**1.0625Gbd Fiber Channel/1.25 Gigabit Ethernet**



### Features

- Compliant with IEEE802.3z Gigabit Ethernet Standard
- Compliant with Fiber Channel 100-SM-LC-L standard
- Industry standard small form pluggable (SFP) package
- Duplex LC connector
- Differential PECL inputs and outputs
- Single power supply 3.3V
- TTL signal detect indicator
- Hot Pluggable
- Class 1 laser product complies with EN 60825-1
- Recommended Distance 40 Km
- Dissipated power >1W

### Application

- Distributed multi-processing
- Switch to switch interface
- High speed I/O for file server
- Bus extension application
- Channel extender, data storage

### Ordering Information

PART NUMBER	WAVELENGTH	INPUT/OUTPUT	SIGNAL DETECT	VOLTAGE	TEMPERATURE
CL-SFP-C20-L247	1470 nm	AC/AC	TTL	3.3V/5V	0°C to 70 °C
CL-SFP-C20-L249	1490 nm	AC/AC	TTL	3.3V/5V	0°C to 70 °C
CL-SFP-C20-L251	1510 nm	AC/AC	TTL	3.3V/5V	0°C to 70 °C
CL-SFP-C20-L253	1530 nm	AC/AC	TTL	3.3V/5V	0°C to 70 °C
CL-SFP-C20-L255	1550 nm	AC/AC	TTL	3.3V/5V	0°C to 70 °C
CL-SFP-C20-L257	1570 nm	AC/AC	TTL	3.3V/5V	0°C to 70 °C
CL-SFP-C20-L259	1590 nm	AC/AC	TTL	3.3V/5V	0°C to 70 °C



**RoHS compliant**  
**CWDM Transceiver, 20dB margin**  
**Small Form Pluggable (SFP), 3.3V**  
**1.0625Gbd Fiber Channel/1.25 Gigabit Ethernet**

CL-SFP-C20-L261	1610 nm	AC/AC	TTL	3.3V/5V	0°C to 70 °C
CL-SFP-C20-L247i	1470 nm	AC/AC	TTL	3.3V/5V	-40°C to 85 °C
CL-SFP-C20-L249i	1490 nm	AC/AC	TTL	3.3V/5V	-40°C to 85 °C
CL-SFP-C20-L251i	1510 nm	AC/AC	TTL	3.3V/5V	-40°C to 85 °C
CL-SFP-C20-L253i	1530 nm	AC/AC	TTL	3.3V/5V	-40°C to 85 °C
CL-SFP-C20-L255i	1550 nm	AC/AC	TTL	3.3V/5V	-40°C to 85 °C
CL-SFP-C20-L257i	1570 nm	AC/AC	TTL	3.3V/5V	-40°C to 85 °C
CL-SFP-C20-L259i	1590 nm	AC/AC	TTL	3.3V/5V	-40°C to 85 °C
CL-SFP-C20-L261i	1610 nm	AC/AC	TTL	3.3V/5V	-40°C to 85 °C

### Regulatory Compliance

- ESD to the Electrical PINs: compatible with MIL-STD-883 Method 3015
- ESD to the Duplex LC Receptacle: compatible with IEC 61000-4-2
- Immunity compatible with IEC 61000-4-3
- EMI compatible with FCC Part 15 Class B EN55022 Class B (CISPR 22B) VCCI Class B
- Laser Eye Safety compatible with FDA 21CFR 1040.10 and 1040.11 EN60950, EN (IEC) 60825-1,2
- RoHS compliant with 2002/95/EC 4.1&4.2 2005/747/EC

### Absolute Maximum Ratings

PARAMETER	SYMBOL	MIN	MAX	UNITS	NOTE
Storage Temperature	$T_S$	-40	85	°C	
Supply Voltage	$V_{CC}$	-0.5	4.0	V	
Input Voltage	$V_{IN}$	-0.5	$V_{CC}$	V	
Output Current	$I_o$	---	50	mA	
Operating Current	$I_{OP}$	---	400	mA	

### Recommended Operating Conditions

PARAMETER	SYMBOL	MIN	MAX	UNITS	NOTE
Case Operating Temperature	$T_C$	0	70	°C	
		-40	85	°C	
Supply Voltage	$V_{CC}$	3.1	3.5	V	
Supply Current	$I_{TX} + I_{RX}$	---	300	mA	



RoHS compliant  
 CWDM Transceiver, 20dB margin  
 Small Form Pluggable (SFP), 3.3V  
 1.0625Gbd Fiber Channel/1.25 Gigabit Ethernet

**Transmitter Electro-optical Characteristics**

$V_{CC} = 3.1\text{ V to }3.5\text{ V}, T_C = 0^\circ\text{C to }70^\circ\text{C}$

PARAMETER	SYMBOL	MIN	TYP.	MAX	UNITS	NOTE
Output Optical Power 9/125 $\mu\text{m}$ fiber	$P_{out}$	-4	-1	+1	dBm	Average
Extinction Ratio	$ER$	7	---	---	dB	
Central Wavelength (-N47)	$\lambda_C$	1464.5	---	1477.5	nm	
Central Wavelength (-N49)		1484.5	---	1497.5	nm	
Central Wavelength (-N51)		1504.5	---	1517.5	nm	
Central Wavelength (-N53)		1524.5	---	1537.5	nm	
Central Wavelength (-N55)		1544.5	---	1557.5	nm	
Central Wavelength (-N57)		1564.5	---	1577.5	nm	
Central Wavelength (-N59)		1584.5	---	1597.5	nm	
Central Wavelength (-N61)		1604.5	---	1617.5	nm	
Spectral Width (-20dB)	$\Delta\lambda$	---	---	1	nm	
Side Mode Suppression Ratio	$SMSR$	30	---	---	dB	
Rise/Fall Time, (20–80%)	$T_{rf}$	---	---	260	ps	
Relative Intensity Noise	$RIN$	---	---	-120	dB/Hz	
Total Jitter	$TJ$	---	---	227	ps	
Output Eye	Compliant with IEEE802.3z					
Max. $P_{out}$ TX-DISABLE Asserted	$P_{OFF}$	---	---	-45	dBm	
Differential Input Voltage	$V_{DIFF}$	0.4	---	2.0	V	



RoHS compliant  
CWDM Transceiver, 20dB margin  
Small Form Pluggable (SFP), 3.3V  
1.0625Gbd Fiber Channel/1.25 Gigabit Ethernet

### Receiver Electro-optical Characteristics

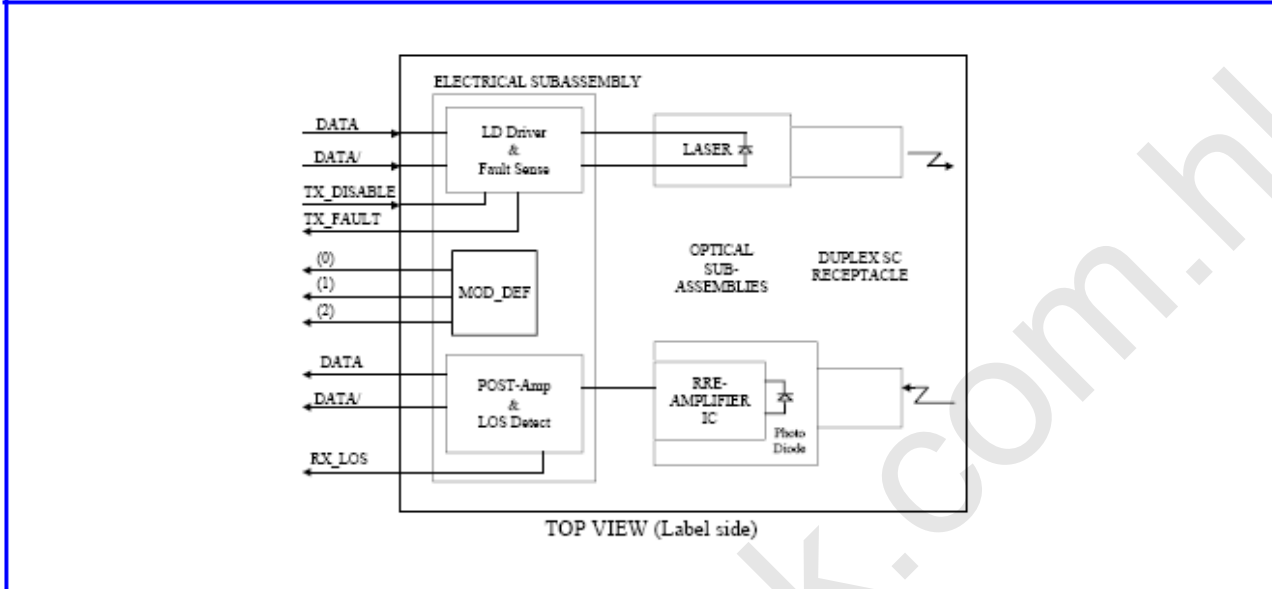
$V_{CC} = 3.1\text{ V to } 3.5\text{ V}$ ,  $T_C = 0^\circ\text{C to } 70^\circ\text{C}$

PARAMETER	SYMBOL	MIN	TYP.	MAX	UNITS	NOTE
Optical Input Power-maximum	$P_{IN}$	-1	---	---	dBm	BER < $10^{-12}$
Optical Input Power-minimum (Sensitivity)	$P_{IN}$	---	-27	-24	dBm	BER < $10^{-12}$
Operating Center Wavelength	$\lambda_C$	1260	---	1620	nm	
Optical Return Loss	ORL	12	---	---	dB	
Signal Detect-Asserted	$P_A$	---	---	-35	dBm	
Signal Detect-Deasserted	$P_D$	-24	---	---	dBm	
Differential Output Voltage	$V_{DIFF}$	0.5	---	1.2	V	
Data Output Rise, Fall Time (20–80%)	$T_{rf}$	---	---	0.35	ns	
Receiver Loss of Signal Output Voltage-Low	$RX\_LOS_L$	0	---	0.5	V	
Receiver Loss of Signal Output Voltage-High	$RX\_LOS_H$	2.4	---	$V_{CC}$	V	



**RoHS compliant  
CWDM Transceiver, 20dB margin  
Small Form Pluggable (SFP), 3.3V  
1.0625Gbd Fiber Channel/1.25 Gigabit Ethernet**

**Block Diagram of Transceiver**



**Transmitter Section**

The transmitter section consists of a 1310 nm InGaAsP laser in an eye safe optical subassembly (OSA) which mates to the fiber cable. The laser OSA is driven by a LD driver IC which converts differential input LVPECL logic signals into an analog laser driving current.

**TX\_DISABLE**

The TX\_DISABLE signal is high (TTL logic "1") to turn off the laser output. The laser will turn on when TX\_DISABLE is low (TTL logic "0").

**Receiver Section**

The receiver utilizes an InGaAs PIN photodiode mounted together with a trans-impedance preamplifier IC in an OSA. This OSA is connected to a circuit providing post-amplification quantization, and optical signal detection.

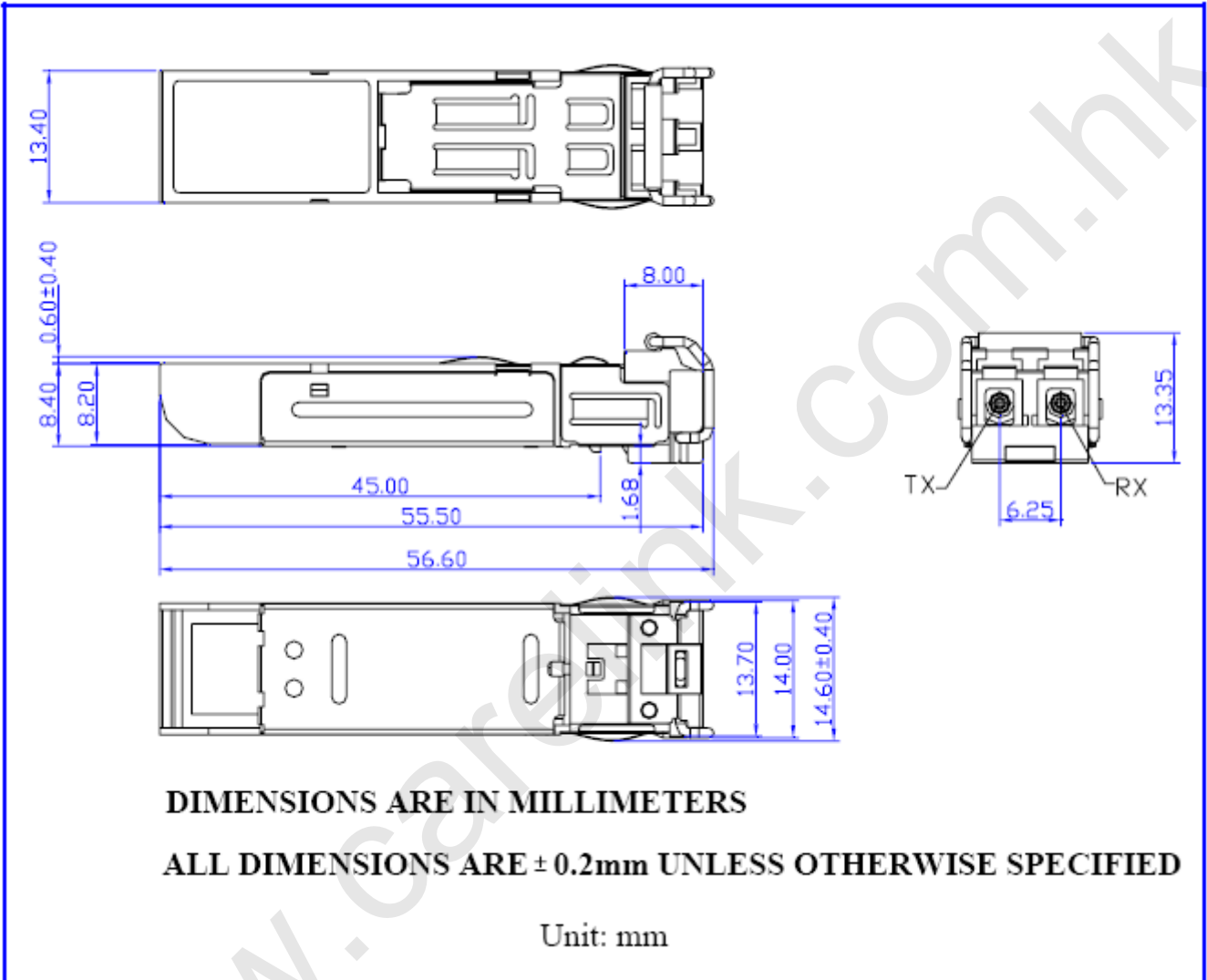
**Receive Loss (RX\_LOS)**

The RX\_LOS is high (logic "1") when there is no incoming light from the companion transceiver. This signal is normally used by the system for the diagnostic purpose. The signal is operated in LVTTTL level.



RoHS compliant  
CWDM Transceiver, 20dB margin  
Small Form Pluggable (SFP), 3.3V  
1.0625Gbd Fiber Channel/1.25 Gigabit Ethernet

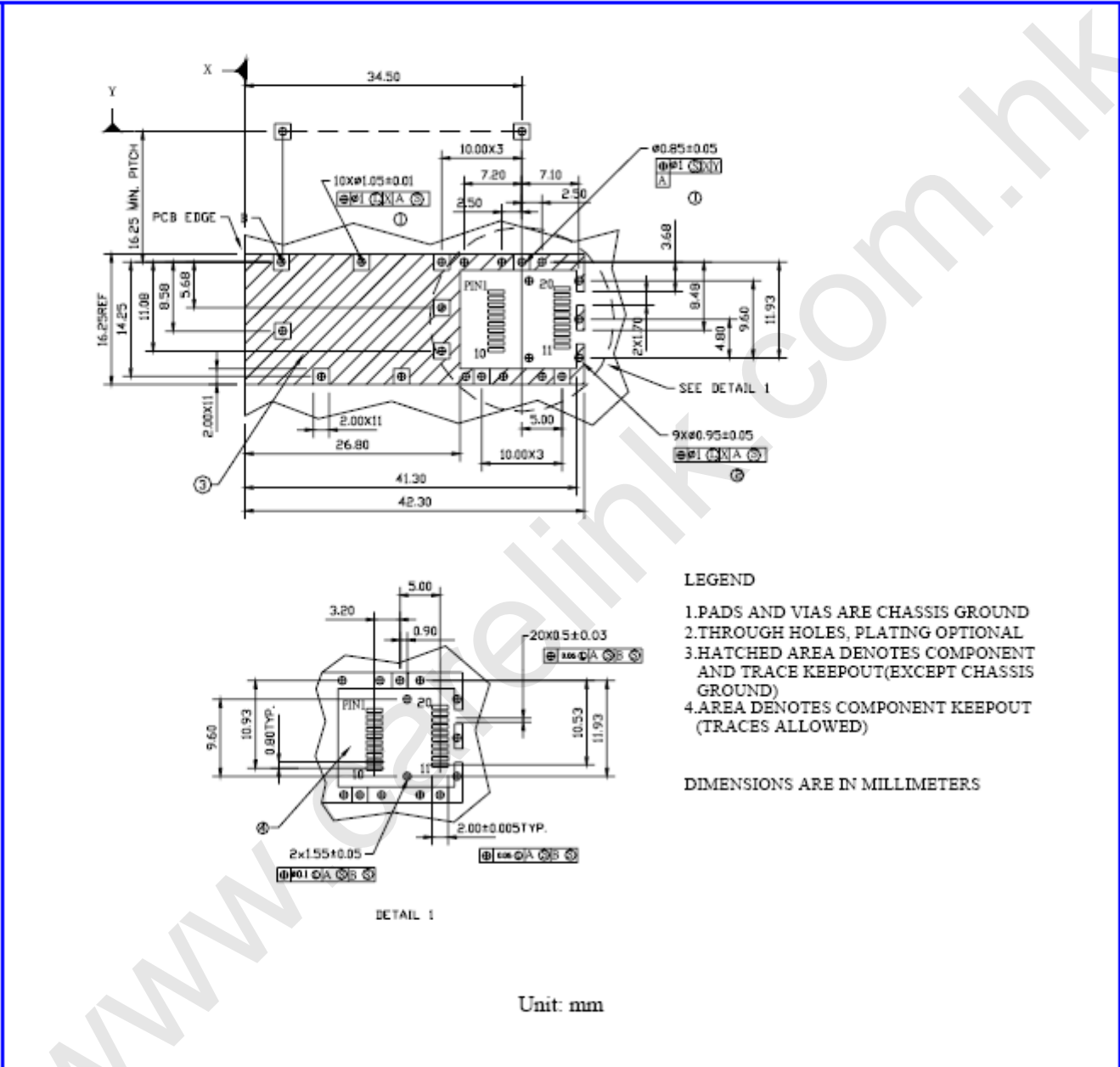
### Dimensions





RoHS compliant  
CWDM Transceiver, 20dB margin  
Small Form Pluggable (SFP), 3.3V  
1.0625Gbd Fiber Channel/1.25 Gigabit Ethernet

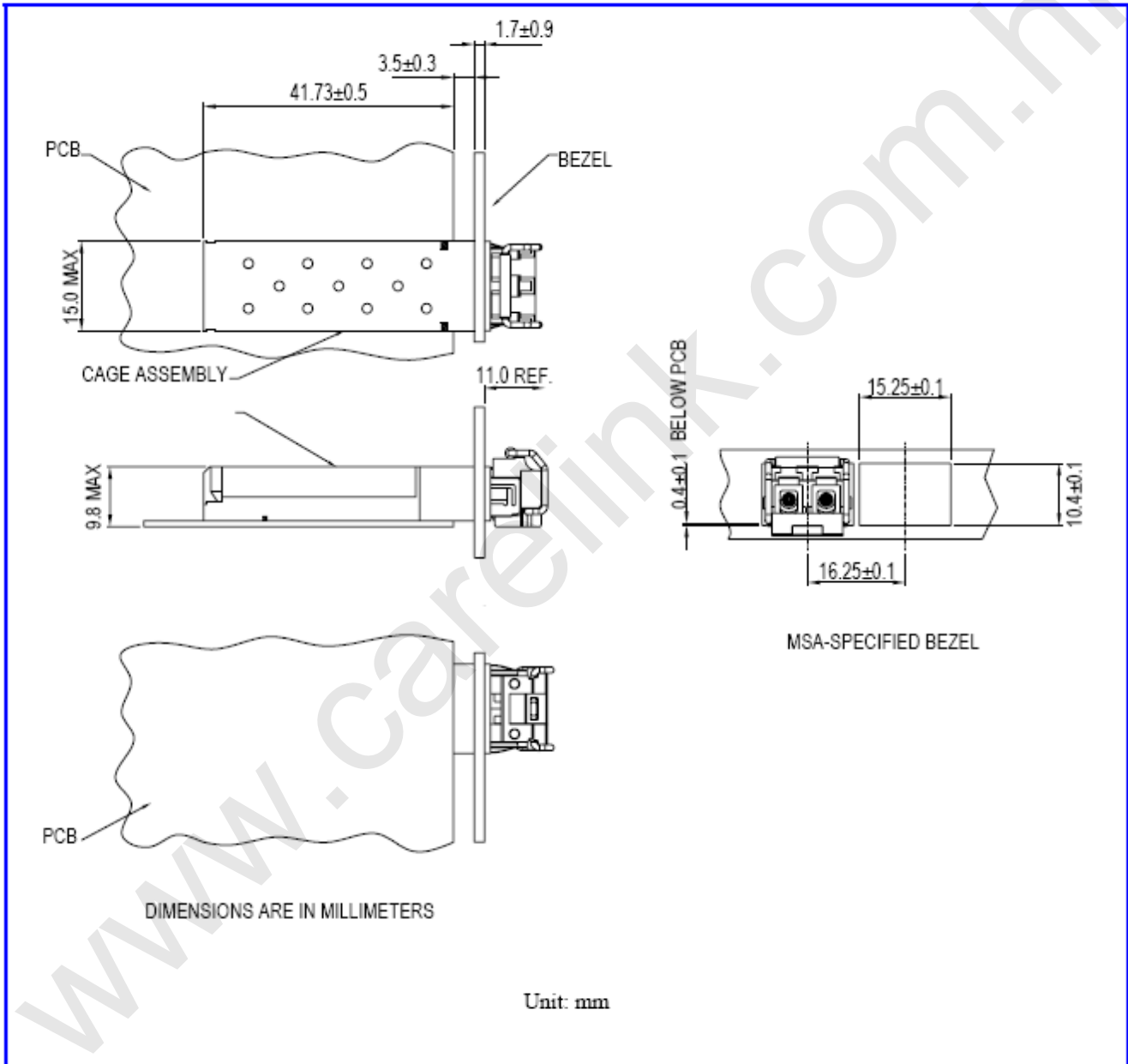
SFP host board mechanical layout





RoHS compliant  
CWDM Transceiver, 20dB margin  
Small Form Pluggable (SFP), 3.3V  
1.0625Gbd Fiber Channel/1.25 Gigabit Ethernet

Assembly drawing



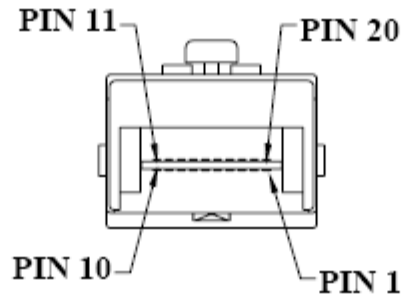




RoHS compliant  
 CWDM Transceiver, 20dB margin  
 Small Form Pluggable (SFP), 3.3V  
 1.0625Gbd Fiber Channel/1.25 Gigabit Ethernet

**Pin Assignment**

Pin-Out



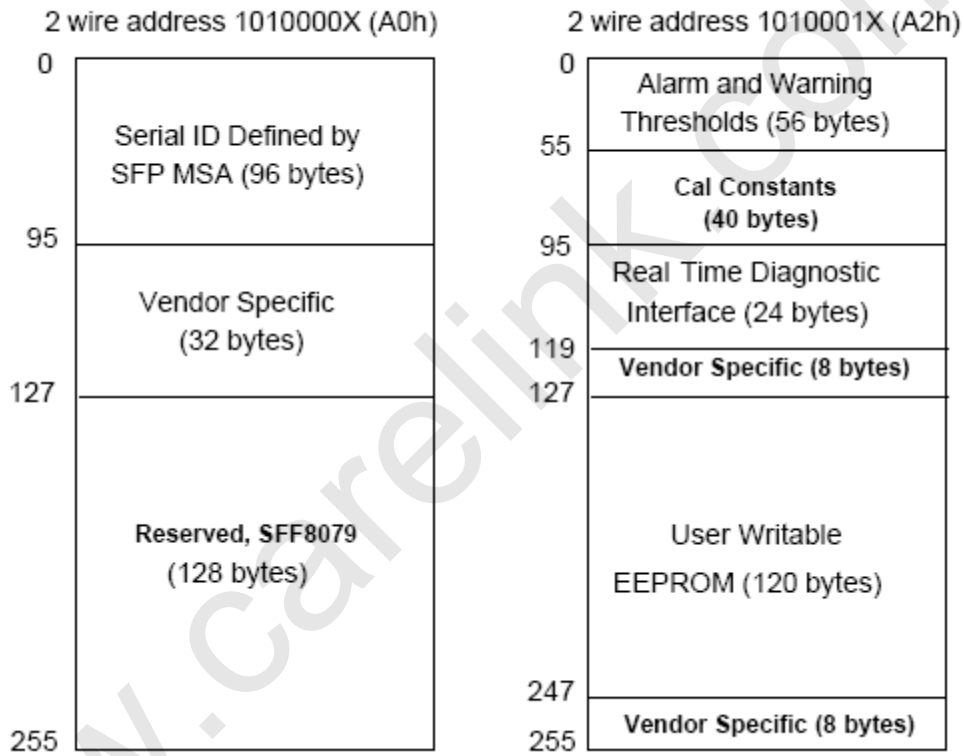
Pin	Signal Name	Description
1	$T_{GND}$	Transmit Ground
2	$TX\_FAULT$	Transmit Fault
3	$TX\_DISABLE$	Transmit Disable
4	$MOD\_DEF (2)$	SDA Serial Data Signal
5	$MOD\_DEF (1)$	SCL Serial Clock Signal
6	$MOD\_DEF (0)$	TTL Low
7	$RATE\_SELECT$	Open Circuit
8	$RX\_LOS$	Receiver Loss of Signal, TTL High, open collector
9	$R_{GND}$	Receiver Ground
10	$R_{GND}$	Receiver Ground
11	$R_{GND}$	Receiver Ground
12	$RX-$	Receive Data Bar, Differential PECL, ac coupled
13	$RX+$	Receive Data, Differential PECL, ac coupled
14	$R_{GND}$	Receiver Ground
15	$V_{CCR}$	Receiver Power Supply
16	$V_{CCT}$	Transmitter Power Supply
17	$T_{GND}$	Transmitter Ground
18	$TX+$	Transmit Data, Differential PCEL, ac coupled
19	$TX-$	Transmit Data Bar, Differential PCEL, ac coupled
20	$T_{GND}$	Transmitter Ground



RoHS compliant  
CWDM Transceiver, 20dB margin  
Small Form Pluggable (SFP), 3.3V  
1.0625Gbd Fiber Channel/1.25 Gigabit Ethernet

## EEPROM Information

EEPROM memory map specific data field description is as below:



## Regulatory Compliance

- ESD to the Electrical PINs: compatible with MIL-STD-883 Method 3015
- ESD to the Duplex LC Receptacle: compatible with IEC 61000-4-2
- Immunity compatible with IEC 61000-4-3
- EMI compatible with FCC Part 15 Class B EN55022 Class B (CISPR 22B) VCCI Class



RoHS compliant  
CWDM Transceiver, 20dB margin  
Small Form Pluggable (SFP), 3.3V  
1.0625Gbd Fiber Channel/1.25 Gigabit Ethernet

### Eye Safety Mark

The LM2 series multimode transceiver is a class 1 laser product. It complies with EN 60825-1 and FDA 21 CFR 1040.10 and 1040.11. In order to meet laser safety requirements the transceiver shall be operated within the Absolute Maximum Ratings.

**Caution**

All adjustments have been done at the factory before the shipment of the devices. No maintenance and user serviceable part is required. Tampering with and modifying the performance of the device will result in voided product warranty.

**Required Mark**

Class 1 Laser Product  
Complies with  
21 CFR 1040.10 and 1040.11

Note : All information contained in this document is subject to change without notice.